



COMBiLiFT

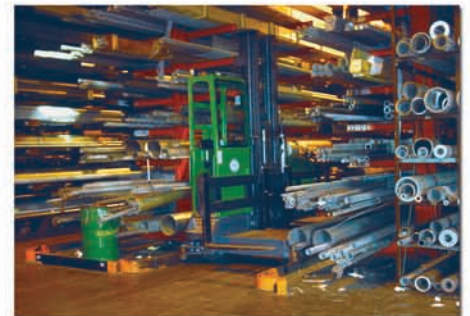
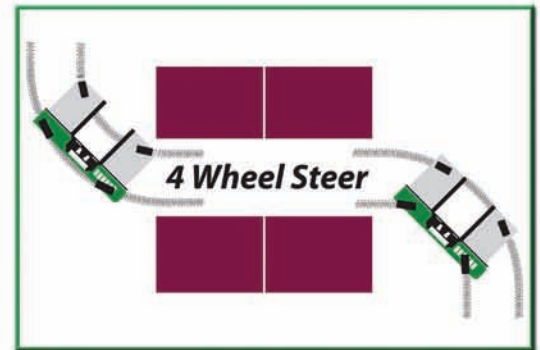
Long Load Material Handling Solution

C6000 GT

making short work of long loads



The C3000 GT can operate outdoor on semi-rough terrain as well as indoors.



three machines in one

> counterbalance forklift > sideloader > aisle truck

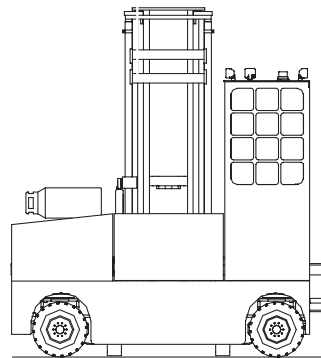
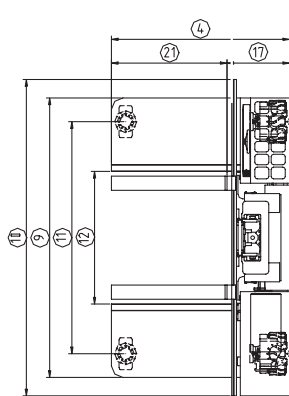
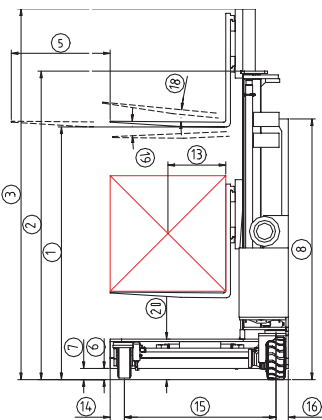
www.COMBiLiFT.COM



SPECIFICATIONS

Model C6000 GT

REF	DESCRIPTION	24"	30"	36"	42"	48"	54"	60"
1a	Lift Height	240"	240"	240"	240"	240"	240"	240"
1b	Free Lift Height	100"	100"	100"	100"	100"	100"	100"
2	Height Mast Closed	153"	153"	153"	153"	153"	153"	153"
3	Max.(Mast raised)	295"	295"	295"	295"	295"	295"	295"
4	Overall Length	50"	56"	62"	68"	74"	80"	86"
5	Mast Travel	26"	32"	38"	44"	50"	56"	62"
6	Ground Clearance Under Mast	5"	5"	5"	5"	5"	5"	5"
7	Ground Clearance to Centre of Wheelbase	5"	5"	5"	5"	5"	5"	5"
8	Height Over Cab (without work-lights)	114"	114"	114"	114"	114"	114"	114"
9	Width Across Platforms	116"	116"	116"	116"	116"	116"	116"
10	Outside Spread of Fork Arms	131½"	131½"	131½"	131½"	131½"	131½"	131½"
11	Wheelbase	90½"	90½"	90½"	90½"	90½"	90½"	90½"
12	Frame Opening	55"	55"	55"	55"	55"	55"	55"
13	Load Centre Distance	12"	15"	18"	21"	24"	27"	30"
14	Overhang Front	6"	6"	6"	6"	6"	6"	6"
15	Track	38"	44"	50"	56"	62"	68"	74"
16	Overhang Back	6"	6"	6"	6"	6"	6"	6"
17	Length From Face of Fork	26"	26"	26"	26"	26"	26"	26"
18	Forward Fork Tilt	3°	3°	3°	3°	3°	3°	3°
19	Backward Fork Tilt	4½°	4½°	4½°	4½°	4½°	4½°	4½°
20	Platform Height With Front Lowered	16½"	16½"	16½"	16½"	16½"	16½"	16½"
21	Platform Length	24"	30"	36"	42"	48"	54"	60"
A	Capacity	6000 lbs	6,000 lbs	6,000 lbs	6,000 lbs	6,000 lbs	6,000 lbs	6,000 lbs
B	Unladen Weight	19,000 lbs	19,000 lbs	19,000 lbs	19,000 lbs	19,000 lbs	19,000 lbs	19,000 lbs
C	Maximum Ground Speed	7½ mph	7½ mph	7½ mph	7½ mph	7½ mph	7½ mph	7½ mph
D	Gradability	10%	10%	10%	10%	10%	10%	10%
E	3 Ltr GM LPG	65 hp	65 hp	65 hp	65 hp	65 hp	65 hp	65 hp
F	Electric's	12 Volt	12 Volt	12 Volt	12 Volt	12 Volt	12 Volt	12 Volt
G	Fork Section (2"x 5" x)	24"	30"	36"	42"	48"	54"	60"
H	350/150-280 Front Tyre (Solid) x 2	14" / 6"	14" / 6"	14" / 6"	14" / 6"	14" / 6"	14" / 6"	14" / 6"
I	23 x 10 - 12 Rear Tyre (Super Elastic) x 2 (OD/Width)	23" / 10"	23" / 10"	23" / 10"	23" / 10"	23" / 10"	23" / 10"	23" / 10"
J	Standard Colour	Green & Grey	Green & Grey	Green & Grey	Green & Grey	Green & Grey	Green & Grey	Green & Grey

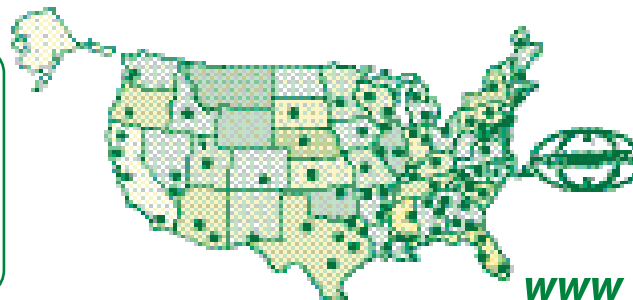


FEATURES INCLUDE:

- Rubber Mounted Overhead Guard
- Load Sensing Steering
- Tilting Chassis +/- 1/2" At Front
- 4 Wheel Steering
- 2 Wheel Hydrostatic Drive
- Hydraulic Oil Cooler

Distributed By

PATTERSON LIFT TRUCKS INC.
 975 INDUSTRIAL PARKWAY WEST
 HAYWARD, CA 94544
 (800) 433-3827



WWW